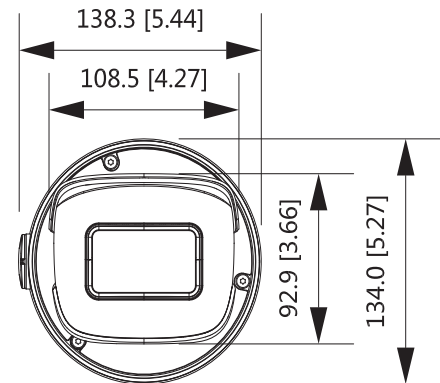
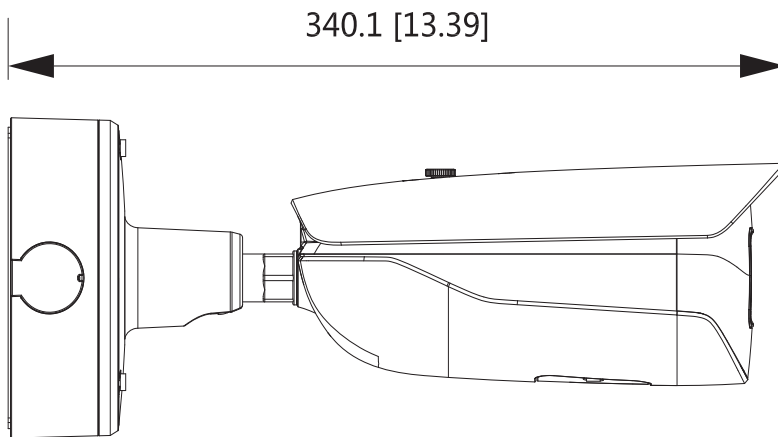


**ULTRA BULLET**  
GDR-VMS-4HD-FR-B

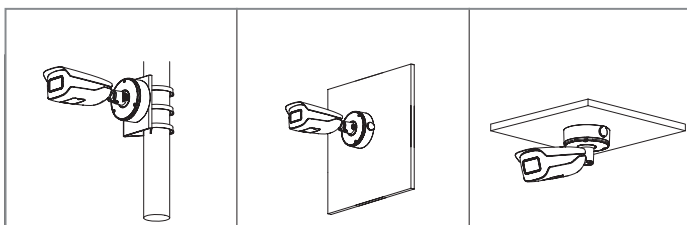
With an advanced deep-learning algorithm, the Guardiar Ultra Bullet camera provides various intelligence functions to meet the demands of a range of environments. The camera can accurately detect movement, people and faces, as well as motor and non-motor vehicles. This model features an ultra starlight night vision effect, improving imagery in low lighting. Offering dust-proof, waterproof and vandal-proof protection, it complies with the standards of IP67 and IK10 functions.

**FEATURES**

- > Perimeter protection
- > Facial detection / recognition
- > Intelligent video analysis
- > Smart codec
- > Privacy protection
- > People counting technology

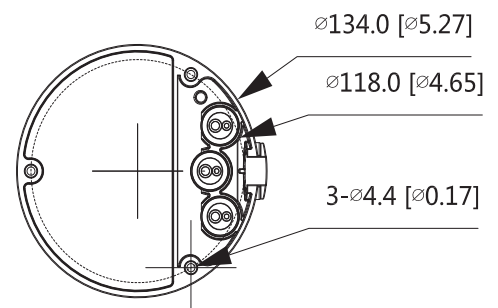


**MOUNT OPTIONS**



Pole Mount  
GDR-VMS-PM-U

Direct / Wall Mount



# ULTRA BULLET GDR-VMS-4HD-FR-B

## CAMERA

Image Sensor	1/1.8" 4Megapixel progressive CMOS
Effective Pixels	2688 (H) × 1520 (V)
Min. Illumination	0.001 Lux@F1.2
IR Distance	Distance up to 120m (393.70ft)

## LENS

Lens Type	Motorized varifocal				
Focal Length	8mm - 32mm				
Max. Aperture	F1.6				
Field of View	Horizontal: 40° (W)–15° (T) Vertical: 23° (W)–9° (T) Diagonal: 46° (W)–18° (T)				
Close Focus Distance	W: 2.5m (8.20ft)T: 6m (19.69ft)				
DORI Distance	Lens	Detect	Observe	Recognize	Identify
	W	151 m (495.4 ft)	60.7 m (199.15 ft)	30.3 m (99.41 ft)	15.1 m (49.54 ft)
	T	400 m (1312.34 ft)	160 m (524.93 ft)	80 m (262.47 ft)	40 m (131.23 ft)

## INTELLIGENCE

Perimeter Protection	Accurate human / vehicle recognition. In restricted area (such as pedestrian and vehicle areas), false alarms of intelligent detection based on target type (such as tripwire, intrusion, fast moving, parking detection, loitering detection and gathering detection) can be largely reduced.
Face Recognition	Face Detection technology detects a face in an image. With deep learning algorithm, the technology supports detecting, tracking, capturing and selecting the best image.
Video Metadata	Capture images and attributes of the human body, human face, motor vehicle and non-motor vehicle.
People Counting	Count the entry number, exit number and pass number with daily/monthly/annual statistics.
Intelligent Search	Work together with Smart NVR to perform refine intelligent search, event extraction and merging to event videos.

## NETWORK

Network	RJ-45 (10/100/1000 Base-T)
Protocol	HTTP; Https; 8021.x; TCP; ARP; RTSP; RTP; UDP; RTCP; SMTP; FTP; DHCP; DNS; DDNS; PPPoE; IPv4/v6; SNMP; QoS; UPnP; NTP; SFTP; RTMP; Genetec; Bonjour
Interoperability	ONVIF (Profile S/Profile G/Profile T); CGI; P2P
Edge Storage	FTP; Micro SD card (256 G); NAS; SFTP

## VIDEO

Video Compression	H.265, H.264, H.264H, H.264B, MJPEG
Smart Codec	Yes
Video Frame Rate	Main Stream: 2688 × 1520 (1–50/60 fps) sub stream 1: 704 × 576 (1–25/30 fps) sub stream 2: 1920 × 1080 (1–25/30 fps) sub stream 3: 1920 × 1080 (1–25/30 fps) sub stream 4: 704 × 576 (1–25/30 fps)
Stream Capability	5 streams
Resolution	4M (2688 × 1520), 3M (2304 × 1296), 1080p (1920 × 1080), 1.3M (1280 × 960), 720p (1280 × 720), D1 (704 × 576/704 × 480), VGA (640 × 480), CIF (352 × 288/352 × 240)
Bit Rate Control	CBR/VBR
Video Bit Rate	H.264: 32–10240 kbps   H.265: 12–10240 kbps
Day/Night	ICR switch
BLC	Yes
WDR	140 dB
White Balance	Auto/natural/street lamp/outdoor/manual/regional custom
Gain Control	Auto / Manual
Noise Reduction	3D DNR
Motion Detection	OFF/ON (4 areas, rectangular)
Region of Interest(Roi)	Yes (4 areas)
Electronic Image Stabilization(EIS)	Yes
Smart IR	Yes
Defog	Yes
Image Rotation	0°/90°/180°/270° (Supports 90°/270° with 1080p resolution or below.)
Privacy Masking	4 areas
Operating Temperature:	-40°C to +60°C (-40°F to +140°F)
Ingress Protection:	IP67
Vandal resistance:	IK10
Power	Power Supply: 12VDC / 24VAC / POE Power Consumption: <17.3W

## MIDDLE EAST

P.O. Box 293517  
DAFZA, Building E 5, Block A  
8<sup>th</sup> Floor, Office 802,  
Dubai-UAE  
TEL: +971 04 6091122

## EUROPE

Stedestraat 51, 8530  
Harelbeke Belgium  
Blokkestraat 34B, 8550  
Zwevegem Belgium  
TEL: +32 51 79 17 38

## USA

3309 SW Interstate 45  
Ennis, TX 75119, USA  
1637 NW 136<sup>th</sup> Avenue Building G,  
Sunrise, FL 33323, USA  
TEL: +1 972 878 7000

## AFRICA

Unit B10, Bergriver Business Park,  
Paarl, 7646, South Africa  
Unit 3, CDE Premium Park,  
Johannesburg, 1685, South Africa  
TEL: +27 11 314 8034

Guardiar and the product names identified in this publication are registered trademarks owned by PRÆSIDIAD Group Limited. All rights reserved. Proud to be a PRÆSIDIAD brand, Guardiar is part of a global network, working alongside Betafence and Hesco as a leader in perimeter security systems and solutions. For more information please visit praesidiad.com.

**Guardiar**  
a PRÆSIDIAD brand

info@guardiar.com | guardiar.com