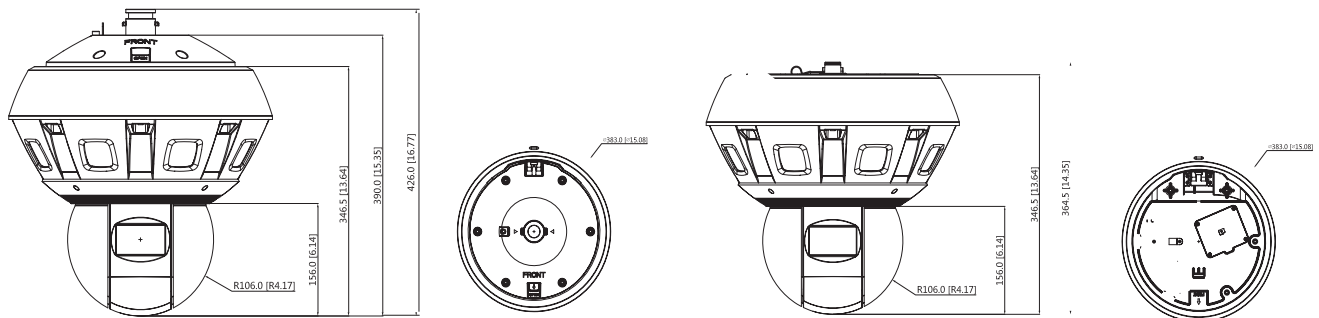


**LITE PANORAMIC+PTZ**  
GDR-VMS-PAN-PTZ

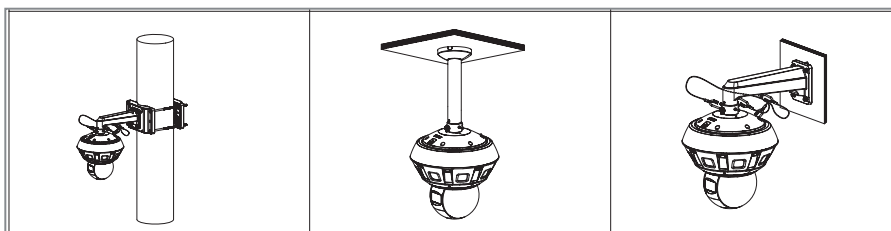
Starlight panoramic HD network camera is an all-in-one design, providing a 360°panorama with region of interest details at the same time. The panoramic network combines 8 sensors working in tandem to achieve 360°panoramic surveillance; an all-in-one module, high-speed PTZ camera with quick-positioning function. In addition, with the video analytic and multi-target track algorithms, the camera can automatically or manually detect tripwire and intrusion of multiple targets in the detection area, output alarm signal, and then link PTZ for smart tracking. With these intelligent features, the camera can service a wide range of complex security requirements.

**FEATURES:**

- > True Day/Night - ideal for applications with fluctuating lighting conditions, delivering color images during the day and automatically switching to monochrome as the scene darkens
- > Starlight Technology - low light performance delivers usable video with minimal ambient light
- > Smart tracking - Panoramic channel supports manual position, frame selection zoom position | Manual track | Auto track after tripwire and intrusion are triggered.
- > Tripwire detection and intrusion detection -the detection distance,and the accuracy rate and timely rate of linkage track are much improved.



**MOUNT OPTIONS**



Pole mount

Ceiling mount

Wall mount

# LITE PANORAMIC+PTZ GDR-VMS-PAN-PTZ

## CAMERA

Image Sensor	Panoramic network: 1/1.8"CMOS PTZ: 1/1.8"CMOS
Max. resolution	Panoramic network: 8192×1800 PTZ: 1920×1080
Scanning System	Progressive
Electronic Shutter Speed	Panoramic network: 1/3 s-1/100000 s, manual or auto adjust   PTZ: 1/1 s-1/300000 s, manual or auto adjust
Min. Illumination	Panoramic network: 0.001Lux(color); 0.0001Lux(black); PTZ: 0.001Lux(color); 0.0001Lux(black); 0Lux(IR on)
S/N Ratio	Panoramic network: 51db   PTZ: 51.5db
IR Distance	PTZ: ≥ 220 m (721.78t) (IR on)
IR On/Off Control	Auto/Manual
IR LEDs Number	PTZ: 7

## LENS

Lens Type	Panoramic network: Fixed-focal PTZ: Motorized vari-focal				
Focal Length	Panoramic network: 2.8 mm PTZ: 5.62mm~208mm, 37x optical zoom				
Max. Aperture	Panoramic network: F1.6   PTZ: F1.4				
Field of View	Panoramic network camera: H: 360°   V: 80°~85° PTZ camera: H: 2.61°~59.61°   V: 1.48°~34.92°   Diagonal: 3°~66.96°				
Iris Type	Panoramic network: Fixed aperture PTZ: Auto				
Close Focus Distance	Panoramic network : 0.2m(0.66ft) PTZ: 0.1m~1m(0.33ft~3.28ft)				
DORI Distance	Lens	Detect	Observe	Recognize	Identify
	Panoramic network	29.0m (95.14ft)	11.6m (38.05ft)	5.8m (19.02ft)	2.9m (9.51ft)
	PTZ	1930.7m (6334.31ft)	772.27m (2533.69ft)	386.1m (1266.73)	193.1m (633.53ft)

## SMART EVENT

IVS	Intrusion, tripwire
-----	---------------------

## VIDEO

Video Compression	H.265; H.264; H.264H; H.264B; MJPEG
Smart Codec	Smart H.264+   Smart H.265+
Video Frame Rate	Panoramic network: Main stream(8192×1800@1~30fps),Sub Stream(2048×452@1~30fps),Third Stream(3840×832@1~30fps) PTZ: Main stream(1920×1080@1~30fps),Sub Stream(704×480@1~30fps),Third Stream(1280×720@1~30fps)
Stream Capability	3 Streams

Resolution	Panoramic network: 8192×1800; 7680×1680; 5760×1264; 4096×900; 3840×832; 2560×560; 2048×452 PTZ: 1920×1080; 1280×960; 1280×720; 704×576; 704×480; 352×288; 352×240
Bit Rate Control	Panoramic network camera: CBR/VBR PTZ camera:CBR/VBR
Video Bit Rate	Panoramic network: H.264:112kbps ~37227Kb/S   H.265:44kbps ~22546Kb/S PTZ: H.264:24kbps ~10752Kb/S   H.265:9kbps ~6400Kb/S
Day/Night	Auto (ICR)/Color/B/W
BLC	Yes
HLC	Yes
WDR	Panoramic network: DWDR   PTZ: WDR (120dB)
Gain Control	Auto/Manual
Noise Reduction	3D NR
Motion Detection	Disable/Enable
Region of Interest (RoI)	Yes (4 areas)
Electronic Image stabilization(EIS)	PTZ camera: Yes
Smart IR	PTZ: Yes (Adjusted by user.)
Defog	PTZ: Yes
Image Rotation	0°/180°(PTZ)
Privacy masking	4 areas(Panoramic network);24 areas(PTZ)

## ELECTRICAL

Power Supply	DC36V
Power Consumption	MAX:74W

## ENVIRONMENTAL

Operating Temperature	-40°C to +70°C(-104°F to +158°F)
Operating Humidity	≤95%
Storage Temperature	-40°C to +70°C (-104°F to +158°F)/Less than 95% RH
Ingress Protection	IP66;IK10 (optional)

## DIMENSION AND WEIGHT

Enclosure	Metal + Plastic
Dimensions	Φ383 mm × 389.8 mm (Φ1256.56 ft × 1279.8 ft)
Net Weight	14.7 kg (32.40 lb)
Gross Weight	19.8 kg (43.65 lb)

## CERTIFICATIONS

Certification	CE-LVD: EN60950-1 CE-EMC: Electromagnetic Compatibility Directive 2014/30/EU FCC: 47 CFR FCC Part 15, Subpart B UL/CUL: UL60950-1 CAN/CSA C22.2 No.60950-1-07
---------------	--

### MIDDLE EAST

P.O. Box 293517  
DAFZA, Building E 5, Block A  
8<sup>th</sup> Floor, Office 802,  
Dubai-UAE  
TEL: +971 04 6091122

### EUROPE

Stedestraat 51, 8530  
Harelbeke Belgium  
Blokkestraat 34B, 8550  
Zwevegem Belgium  
TEL: +32 51 79 17 38

### USA

3309 SW Interstate 45  
Ennis, TX 75119, USA  
1637 NW 136<sup>th</sup> Avenue Building G,  
Sunrise, FL 33323, USA  
TEL: +1 972 878 7000

### AFRICA

Unit B10, Bergriver Business Park,  
Paarl, 7646, South Africa  
Unit 3, CDE Premium Park,  
Johannesburg, 1685, South Africa  
TEL: +27 11 314 8034

Guardiar and the product names identified in this publication are registered trademarks owned by PRÆSIDIAD Group Limited. All rights reserved. Proud to be a PRÆSIDIAD brand, Guardiar is part of a global network, working alongside Betafence and Hesco as a leader in perimeter security systems and solutions. For more information please visit praesidiad.com.

**Guardiar**  
a PRÆSIDIAD brand

info@guardiar.com | guardiar.com