

**ANPR**

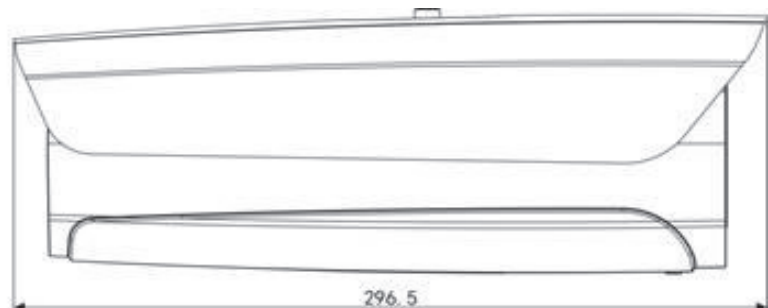
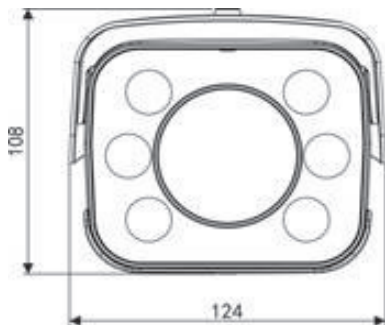
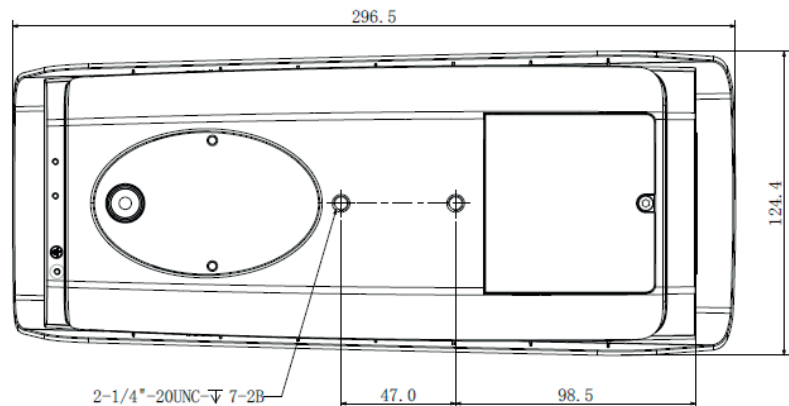
**GDR-VMS-2HD-ANPR**

The 2-megapixel CMOS full HD AI access ANPR camera features high color restoration, low illuminance, and built-in white light, suitable for use in parking and access control environments.

In the standard entrance scenario (refer to the installation guide), it can detect the vehicles with over 99% capture rate, recognize the plate speeds up to 40kmh (25mph) and structure the vehicle data within the embedded deep-learning algorithm. Provides convenient automatic access and barrier opening to an approved list of residents or personnel.

**FEATURES:**

- > Excellent image quality
- > Superior performance for outdoor applications
- > Embedded with LPR algorithm
- > World-wide license plate recognition
- > High vehicle capture rate
- > Powerful 2.7-13.5mm motorized lens and white light, ideal for monitor ANPR distance 3-8m (9'-26')



# ANPR GDR-VMS-2HD-ANPR

## CAMERA

Image Sensor	1/2.8 inch 2 Megapixel CMOS
Effective Pixels	2MP, 1920(H) x 1080(V)
Min. Illumination	0.005Lux/F1.3
Electronic Shutter Speed	1/50~1/10000
White Light Distance	Up to 12m (39')

## LENS

Lens Type	Motorized/ Auto Iris(DC)
Focal Length	2.7mm~13.5mm
Max. Aperture	F1.3
Angle of View	H: 119°~ 32° V:65° ~18°
Focus control	Auto
ANPR Distance	3-8m (10'-26')

## INTELLIGENCE

LPR Function	Embedded with Deep learning LPR engine
Vehicle Detection	Supports vehicle video detection with high detection rate; supports vehicle direction detection
Vehicle data structuring	License plate recognition, vehicle size, vehicle color detection and etc.
Vehicle size detection	Supports 11 vehicle sizes detection: large bus, heavy truck, medium truck, sedan, minivan, light truck, SUV, MPV, medium bus, pick-up and minicar.
Vehicle color detection	Supports 11 colors detection(daytime):white, black, blue, red, yellow, green, pinkish purple, gray, brown, orange and silver.
Detection model	Supports Video detection or loop detection
Snapshot	Overview and cutout of plate for picture
OSD overlay	Time, place,plate number, etc.
White list	10000 records database inside the camera
Barrier control	Relay out to control the barrier

## INTERFACE

Audio Interface	1 Input/1 Output
RS485	2
Alarm	3/3 channel In/Out

## VIDEO

Video Compression	H.265/H.264M/H.264H/H.264B
Resolution	1080P(1920x1080) / 720P(1280x720) / D1(704x576)
Frame Rate	Main Stream: 1080P(1 ~ 25/30fps) Sub Stream: 720P/ D1 (1 ~ 25/30fps)
Bit Rate Control	CBR, VBR
Bit Rate	32 ~ 16384 Kbps
Dual Stream	Support, Main stream and sub stream
White Balance	Auto/Manual
Gain Control	Auto/Manual
Noise Reduction	3D

## NETWORK

Ethernet	RJ-45 (100/1000Base-T)
Interoperability	CGI, SDK, Onvif
Protocol	IPv4/IPv6, HTTP, TCP/IP, UDP, NTP, DHCP, DNS
Edge Storage	Micro SD, Max 64GB Status Display Local PC for Instant Recording
Operating Temperature:	-30°C to +65°C (-22°F to +149°F)
Ingress Protection:	IP67
Power Supply:	12VDC / POE

### MIDDLE EAST

P.O. Box 293517  
DAFZA, Building E 5, Block A  
8<sup>th</sup> Floor, Office 802,  
Dubai-UAE  
TEL: +971 04 6091122

### EUROPE

Stedestraat 51, 8530  
Harelbeke Belgium  
Blokkestraat 34B, 8550  
Zwevegem Belgium  
TEL: +32 51 79 17 38

### USA

3309 SW Interstate 45  
Ennis, TX 75119, USA  
1637 NW 136<sup>th</sup> Avenue Building G,  
Sunrise, FL 33323, USA  
TEL: +1 972 878 7000

### AFRICA

Unit B10, Bergeriver Business Park,  
Paarl, 7646, South Africa  
Unit 3, CDE Premium Park,  
Johannesburg, 1685, South Africa  
TEL: +27 11 314 8034

Guardiar and the product names identified in this publication are registered trademarks owned by PRÆSIDIAD Group Limited. All rights reserved. Proud to be a PRÆSIDIAD brand, Guardiar is part of a global network, working alongside Betafence and Hesco as a leader in perimeter security systems and solutions. For more information please visit praesidiad.com.

**Guardiar**  
a PRÆSIDIAD brand

info@guardiar.com | guardiar.com