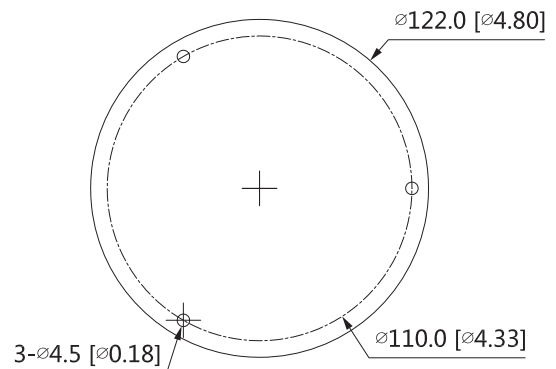
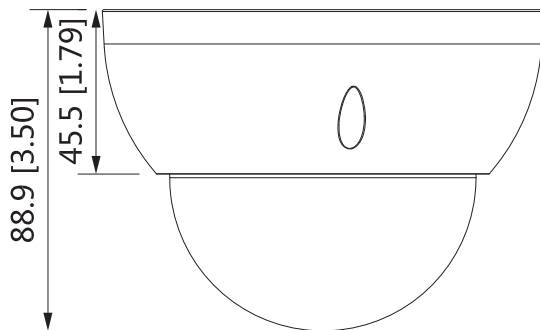


PRO DOME GDR-VMS-4HD-AI-D

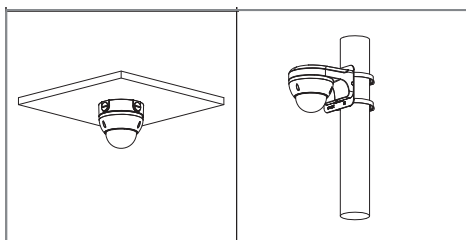
The Pro AI series features face detection, perimeter protection and people counting capabilities, as well as starlight technology. Powered by deep-learning Artificial Intelligence algorithms, it offers significantly improved accuracy. This series has built-in protection from dust and water, certified to IP67 and vandal resistance to IK10 standard.

FEATURES

- > Perimeter protection
- > Face detection
- > Intelligent video analysis
- > Low light performance
- > People counting technology
- > ePoE technology



MOUNT OPTIONS



Junction Mount
GDR-VMS-JB-D

Pole Mount
GDR-VMS-PM

PRO DOME GDR-VMS-4HD-AI-D

CAMERA

Image Sensor	1/1.8" 4Megapixel progressive scan CMOS
Effective Pixels	2688 (H) × 1520 (V)
Min. Illumination	0.001 Lux @F1.0
Pan/Tilt/Rotation	Pan: 0°–355° / Tilt: 0°–75° / Rotation: 0°–355°

LENS

Lens Type	Fixed-focal				
Focal Length	3.6mm (1.4")				
Max. Aperture	F1.0				
Angle of View	Horizontal: 93° Vertical: 50°				
Focus control	Fixed				
ANPR Distance	2.0m (6.56 ft)				
DORI Distance	Lens	Detect	Observe	Recognize	Identify
	3.6mm	70m (230ft)	28m (91ft)	14m (46ft)	7m (23ft)

INTELLIGENCE

Perimeter Protection	Reduces false alarms and decreases pixel count requirements for object detection. Features custom tripwires based on object type for automation in limited access areas such as pedestrian or vehicle-only zones.
Face Detection	Able to track, snapshot and capture high quality pictures. Single inch photo, half length and full length. Real-time snapshot, optimization snapshot and quality priority with face angle filter.
People Counting	Using advanced image processing technology, it is able to capture information from within images. The camera pairs this information with deep learning algorithms to analyze and detect human bodies and track target objects in real time. Able to count entry and exit number, a number of people in an area, queue management outputting yearly/monthly/weekly/daily reports.
Intelligent Search	Work together with Smart NVR to perform refine intelligent search, event extraction and merging to event videos.

NETWORK

Ethernet	RJ-45 (10/100 Base-T)
Protocol	IPv4; IPv6; HTTP; HTTPS; TCP; UDP; ARP; RTP; RTSP; RTCP; RTMP; SMTP; FTP; SFTP; DHCP; DNS; DDNS; QoS; UPnP; NTP; Multicast; ICMP; IGMP; NFS; SAMBA; PPPoE; 802.1x; SNMP
Interoperability	ONVIF (Profile S/Profile G/Profile T); CGI; Milestone; Genetec; P2P
Edge Storage	FTP; SFTP; Micro SD card (support max. 256 G); NAS

VIDEO

Video Compression	H.265, H.264, H.264B, H.264H, MJPEG(sub stream)
Smart Codec	Yes
Frame Rate	Main Stream: 2688 × 1520 (1 fps–25/30 fps) 2560 × 1440 (1 fps–25/30 fps) 1920 × 1080 (1 fps–50/60 fps) Sub Stream: D1 (1 fps–25/30 fps) D1 (1 fps–50/60 fps) Third Stream: 1080P (1 fps–16 fps)
Stream Capability	3 streams
Resolution	2688 × 1520/2560 × 1440/2304 × 1296/1080P (1920 × 1080)/1.3M (1280 × 960)/720P (1280 × 720)/D1 (704 × 576/704 × 480)/VGA (640 × 480)/CIF (352 × 288/352 × 240)
Bit Rate Control	CBR/VBR
Video Bit Rate	H.264: 32 kbps–8192 kbps H.265: 19 kbps–8192 kbps
Day/Night	Day/Night: Electronic Color/B/W
BLC	Yes
HLC	Yes
WDR	140 dB
Scene Self adaptation	Yes
White Balance	Auto/natural/street lamp/outdoor
Gain Control	Auto/Manual
Noise Reduction	3D DNR
Motion Detection	OFF/ON (4 areas)
Region of Interest	Yes (4 areas)
Defog	Yes
Image Rotation	0°/90°/180°/270° (Support 90°/270° with 1080p resolution and lower.)
Privacy Masking	4 areas
Operating Temperature:	-30°C to +60°C (-22°F to +140°F)
Ingress Protection:	IP67
Vandal resistance:	IK10
Power	Power Supply: 12VDC / POE Power Consumption: <4.4W

MIDDLE EAST

P.O. Box 293517
DAFZA, Building E 5, Block A
8th Floor, Office 802,
Dubai-UAE
TEL: +971 04 6091122

EUROPE

Stedestraat 51, 8530
Harelbeke Belgium
Blokkestraat 34B, 8550
Zwevegem Belgium
TEL: +32 51 79 17 38

USA

3309 SW Interstate 45
Ennis, TX 75119, USA
1649 NW 136th Avenue Building J,
Sunrise, FL 33323, USA
TEL: +1 972 878 7000

AFRICA

Unit B10, Bergriver Business Park,
Paarl, 7646, South Africa
Unit 3, CDE Premium Park,
Johannesburg, 1685, South Africa
TEL: +27 11 314 8034

Guardiar and the product names identified in this publication are registered trademarks owned by PRÆSIDIAD Group Limited. All rights reserved. Proud to be a PRÆSIDIAD brand, Guardiar is part of a global network, working alongside Betafence and Hesco as a leader in perimeter security systems and solutions. For more information please visit praesidiad.com.

Guardiar
a PRÆSIDIAD brand

info@guardiar.com | guardiar.com